



Lend Lease

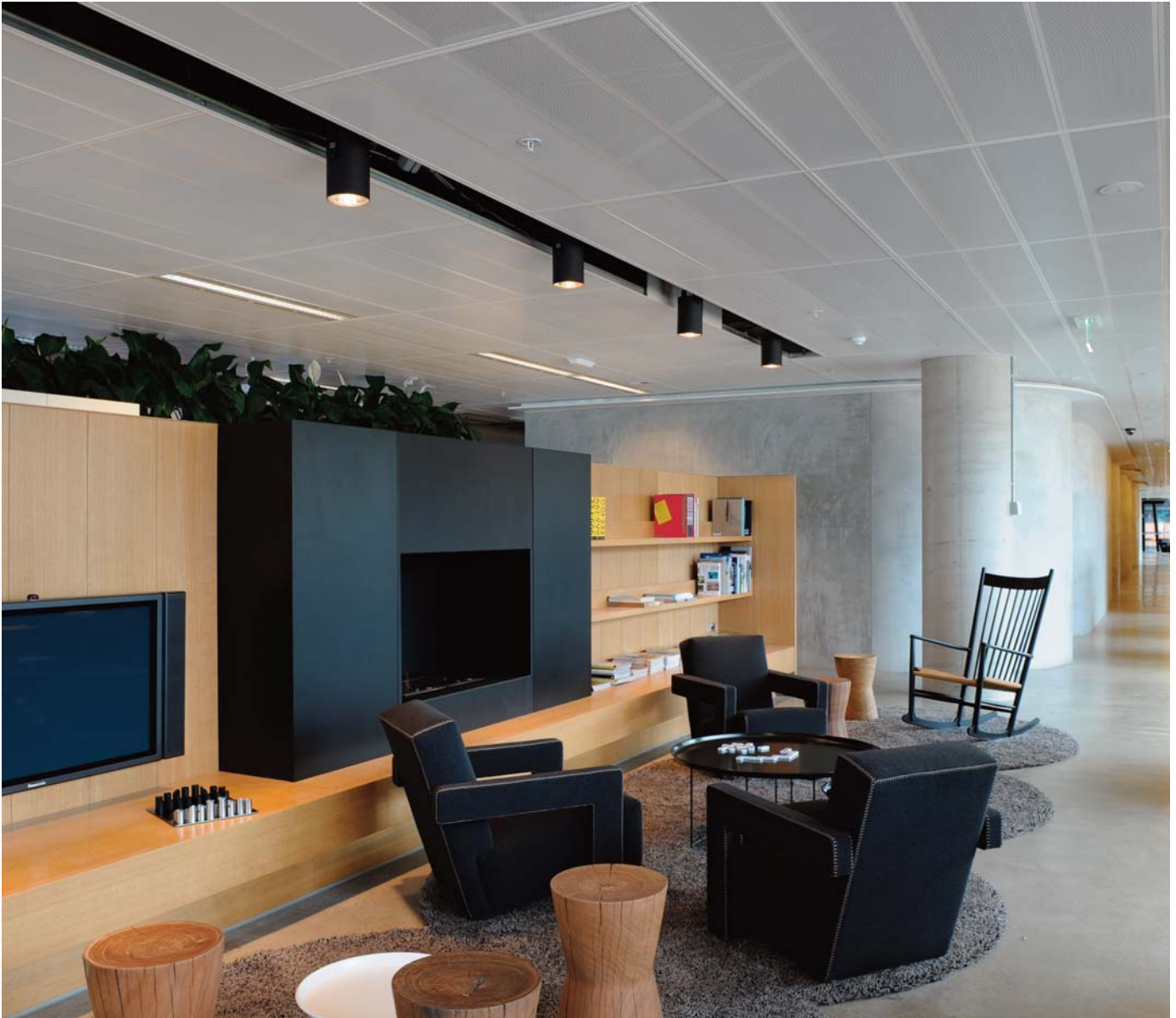
CEILING SYSTEMS

Between us, ideas become reality™

Armstrong Blue Tongue™
Aluminium Grid and
Perimeter/Pelmet Systems

Armstrong®

Suspension Systems Content



Modular Ceiling Systems — Pages 4 – 5

One Way Ceiling Systems — Pages 6 – 7

Two Way Ceiling Systems — Page 8

Perimeters / Wall Angles and Accessories — Page 9

Pelmet Systems — Pages 10 – 11

Armstrong Blue Tongue™ Aluminium Grid and Perimeter/Pelmet Systems

Armstrong Blue Tongue™ Aluminium Grid Systems

Extruded aluminium grid systems are the natural complement to Armstrong acoustic ceiling panels in A-Grade commercial applications.

Armstrong delivers more than 30 years of expertise in aluminium ceiling grid solutions to the Australian and New Zealand markets.

Armstrong offers a complete range of Modular, One Way and Two Way Systems, for both Mineral Fibre and Metal ceiling panels.

Features of the Armstrong “Blue Tongue” Systems

- Full and rapid demountability and re-use of components
- Complete range of interlocking accessories
- Choice of module sizes, including 1200x1200, 1350x1350 and 1500x1500
- Engineered and tested system
- Complete integration with Perimeter/Pelmet Systems

Technical Features

- Produced from proven 6063 T5 grade extruded aluminium
- Polyester Powdercoat
- Compliant to AS/NZS2785:2000 – Suspended Ceiling Code

Perimeter/Pelmet Solutions

To complete the ceiling, Armstrong provides a comprehensive range of perimeter solutions, including: wall angles, transitions trims pelmets.

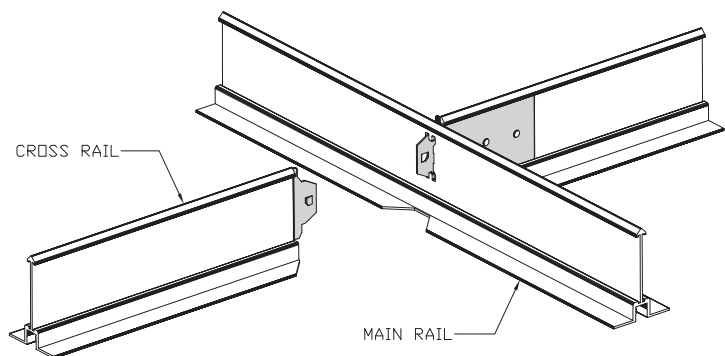
Custom Ceiling Solutions

In addition to a wide range of standard systems, the Armstrong Technical Services Group has the capacity of developing custom solutions to suit most commercial ceiling requirements.

For Seismic Design support please contact your local Armstrong office.



Clean mitred cross runner intersection.

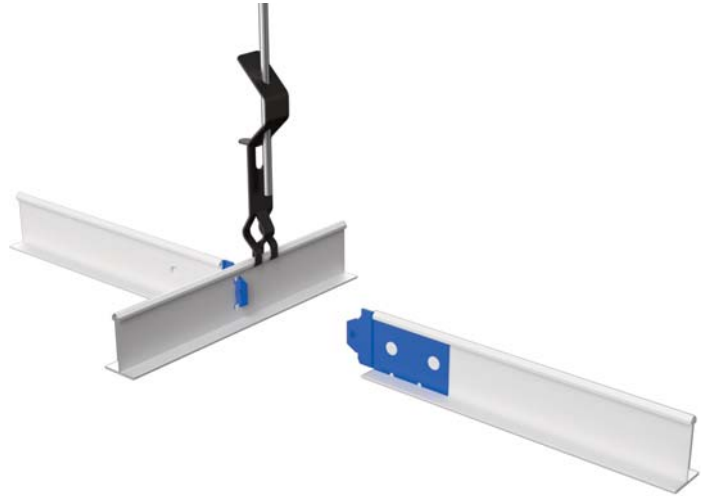
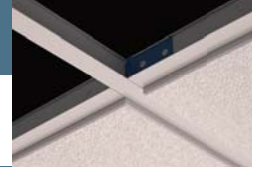


Armstrong “Blue Tongue” positive lock connection.



3-sided Pelmet with Air Diffuser Face Plate

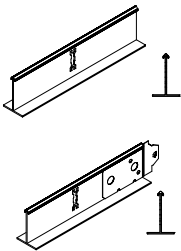
Two Way Ceiling Systems



NSW Police Ctr – Parramatta NSW

Two Way Exposed

Component Specifications



Item	Design	Dimensions (mm)			
		Slot Spacing	Length	Height	Width
BP4640037S37	Flat Faced 24mm Main Bar (Connection via M/R Joiner, item BP9338)	300	3600	38	24
BP4630037S38	Flat Faced 24mm Cross Runner	600	1200	38	24
BP4620037S30	Flat Faced 24mm Cross Runner Blue Tongue Connection – flush with Main Bar	–	600	38	24

Notes:

Other Flat Faced Tee profiles are available for custom modules
Details on Perimeters, Wall Angles and Accessories – refer page 9

System Drawing and Installation

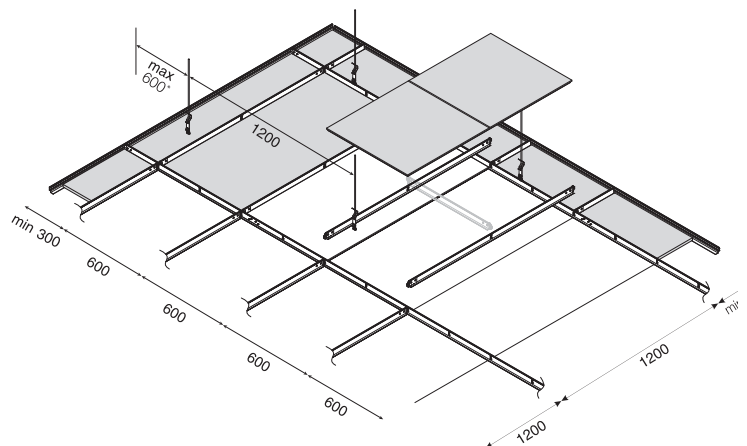
(Typical modules are 1200 x 600mm and 600 x 600mm).



Standard lay-in installation of Blue Tongue Aluminium 24mm Grid with Square or Tegular edge panels.

Key Features

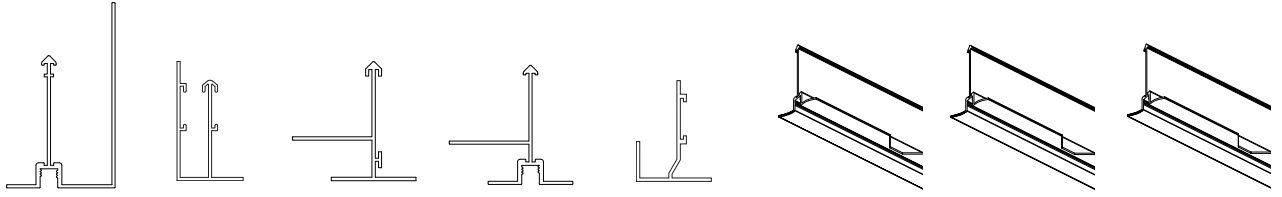
- Practical and simple
- Full accessibility to plenum
- Simple removal of panels
- Best ceiling longevity with lowest maintenance costs



Additional information and detailed drawings on the Armstrong Blue Tongue Two Way System can be found at www.armstrongceilings.com.au

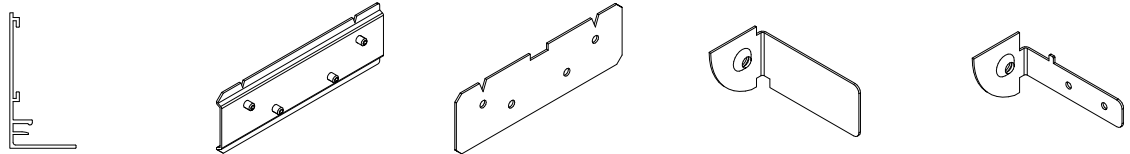
Perimeters / Wall Angles and Accessories

Perimeter / Transition Trims



Item:	ALPT4500LL	ALPTQLFF45	ALPTFF	ALPT3600PB	ALBULK3600SW	ALMRTH3600OS	ALMRTH4050OS	ALMRTH4500OS
Description	Top Hat with 70mm Upturn	Flat Face	Flat Face with Horizontal Leg for 13 PB	Top Hat with Horizontal Leg for 13 PB	Bulk Head Trim	Top Hat Punched one side @ 1200cc.	Top Hat Punched one side @ 1350cc.	Top Hat Punched one side @ 1500cc.
Height (mm)	70	45	45	45	38	45	45	50
Length (mm)	4500	3600	3600	3600	3600	3600	4050	4500
Width (mm)	41	24	32	32	28	32	32	32

Perimeter Trims / Accessories for One Way MetalWorks Hook On System



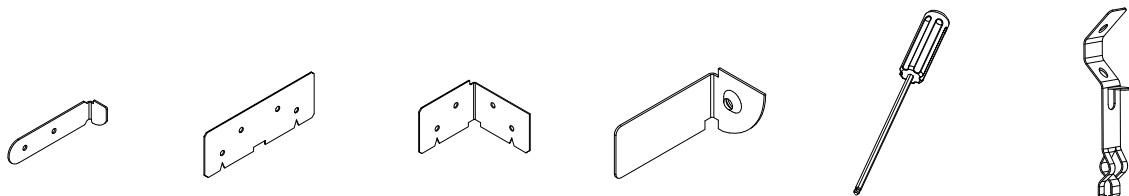
Item:	ALPTONEWAYS	ARM-036	ARM-035	ARM-034	ARM-033
Description / Application	Perimeter Trim	Perimeter Trim Joiner Grub screw fastening	Main Runner Joiner To suit ALOWTHMR	Roll In Clip Connects Main Runner to Perimeter Trim	Roll In Clip Connects Locking Spline to Perimeter Trim
Dimensions	51(h) x 25 (w) x 3600mm				

Perimeter Trims: Wall Angles



Item:	AL009RCPSW	AL008RCPSW
Description	Shadow line Suits roll in clip ALRIC	Std "L" Suits roll in clip ALRIC
Height (mm)	29	20
Width (mm)	29	20
Length (mm)	3600mm	3600mm

Accessories for Modular, One* and Two Way Systems



Item No.	ALRIC	ALMRJL*	ALMRJL90	ALRICL	GSD	ALSCLH
Description	Roll In Clip Small	Main Bar Joiner	90 Degree Bracket	Roll in Clip Large	Grub screw-driver	Suspension Clips
Application of Accessory Item	Connects all sections with all wall angles and Perimeter Trims / Pelmet	Connects all Main Bars: 45 and 50mm sections *M/R Joiner for Two Way System is BP9338	Used with all Main Bars 45 and 50mm sections	For connecting Main or Cross Runners to Perimeter Trims	For use with Grub screw Roll in Clip	For use on all Main Bars and Perimeter Trims

* See table above for One Way Hook On for MetalWorks.

Pelmet Systems



3-Sided Pelmet with slotted Air Diffuser Face Plate – Modular Grid and Ultima panel – Woolworths HQ, Sydney

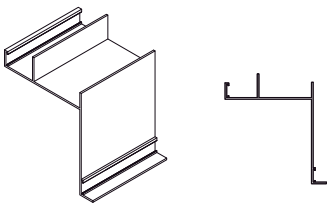
Transition in style

Regain aesthetic control of the perimeter with an Armstrong Pelmet System. The transition from pelmet to either plasterboard margin or acoustic ceiling is now simple. Armstrong Pelmet Systems are a pre-engineered solution, integrating curtain pelmets, air distribution and ceiling elevation changes. Field fabrication and on-site decisions become a thing of the past. Armstrong Pelmet Systems directly integrate with the ceiling grid via a positive locking connection clip. Concealed splice plates enable mechanical lock connections between adjacent pelmet sections.

Three easy Profiles

There are three basic aluminum extrusion profiles that provide a precise, crisp architectural detail.

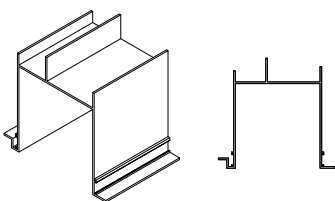
1



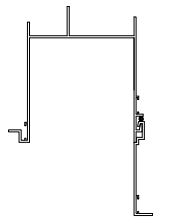
2-Sided Pelmet with transition to Acoustical/Drywall Grid

Single piece aluminium extrusion that forms a simple 2 sided pelmet. Transition to either acoustical grid or set plaster margin.

2

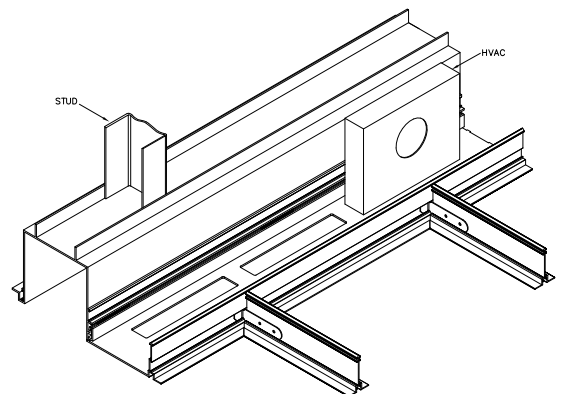


3-Sided Pelmet with transition to Acoustical/Drywall Grid



Pelmet with Extension

3



3-Sided Perimeter Pelmet with Diffuser Face Plate and transition to "Blue Tongue" Grid

Pre-engineered aluminium 3 sided pelmets can be produced from one or two piece sections enabling flexibility in size of pelmet. Extension components allow for additional design flexibility and ceiling elevation changes. Transition to either acoustical grid or set plaster margin.

Pelmets can be designed for full integration with air distribution at the perimeter. Diffuser face plate is pre-slotted according to air supply specifications. Transition to either acoustical grid or set plaster margin.

Pelmet Systems



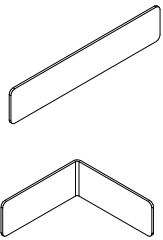
3-Sided Pelmet with Air Diffuser Face Plate



Two Piece Pelmet with Margin

Accessories for Pelmet Sections

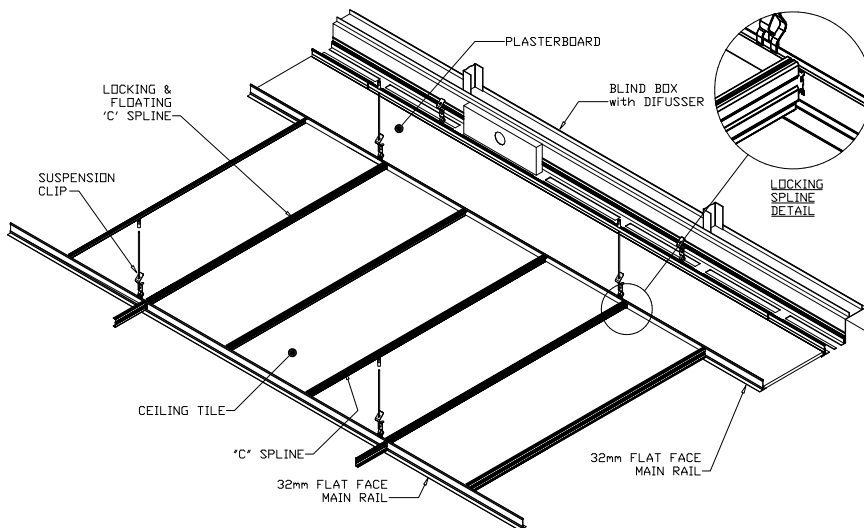
Component Specifications



Item	Design
ALMRJS	Joiner for Pelmet
ALMRJS90	90 Degree Joiner for Pelmet



Single Piece Pelmet



One Way System with Composite Pelmet

CEILING SYSTEMS

Between us, ideas become reality™

Armstrong, the Global Leader in Acoustic Ceilings

NSW

Armstrong World Industries Pty. Ltd.
99 Derby Street, Silverwater NSW 2128
Telephone (02) 9748 1588 | Facsimile (02) 9748 8449

VIC/TAS

Armstrong World Industries Pty. Ltd.
29-39 Mills Road, Braeside VIC 3195
Telephone (03) 9580 9633 | Facsimile (03) 9587 5139

QLD/NT

Armstrong World Industries Pty. Ltd.
6 Barrinia Street, Slacks Creek QLD 4127
Telephone (07) 3809 5565 | Facsimile (07) 3809 5507

SA

Total Building Systems Pty. Ltd.
160 Grand Junction Road, Blair Athol SA 5084
Telephone (08) 7325 7555 | Facsimile (08) 7325 7566

WA

Ceiling Manufacturers of Australia Pty. Ltd.
5 Irvine Street, Bayswater WA 6053
Telephone (08) 9271 0777 | Facsimile (08) 9272 2801

New Zealand

Forman Building Systems Ltd.
PO Box 12349, Penrose, Auckland
Telephone 64-9-276 4000 | Facsimile 64-9-276 414

www.armstrongceilings.com.au

For Seismic
Design support
please contact
your local
Armstrong
office.



SCAN* THIS CODE to
learn more about our
Suspension Systems

*Download a Free QR
code reader app available
from Apple store