

DUNE MAX



DUNE MAX with PeakForm Prelude XL 24mm Exposed Tee grid

BENEFITS

- Total Acoustics Performance (NRC+CAC)
 - High sound absorption for reduced reverberation and quieter spaces
 - High sound attenuation, improving room to room privacy
- Upgraded look at a modest price
- High light reflective finish
- Fine textured surface
- RH99 Humidity Resistant
- Sustainable – Green Star contribution

APPLICATION AREAS

- Offices / Call Centres
- Education
- Healthcare
- Auditoriums
- Libraries



Inspiring Great Spaces

Armstrong[®]
CEILING SOLUTIONS

DUNE MAX



RH99
Humidity
Resistant



Product
Handling
Durability



Up to
47%
Recycled Content
EN ISO 14021



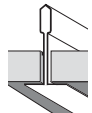
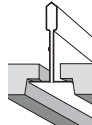
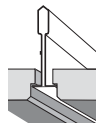
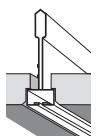
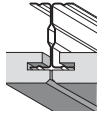
85%
Light Reflectance



Acoustical
Comfort



Total
Acoustics

| Panel Options | SQUARE LAY-IN | ANGLED TEGULAR | BEVELLED TEGULAR | | K2C2 EDGE |
|-------------------|--|--|---|---|---|
| |  Prelude 24mm Grid |  Prelude 24mm Grid |  Suprafine 15mm Grid |  Silhouette 15mm Grid |  One Way / Modular Grid |
| 600 x 600 x 20mm | 4980 | 4984 | 4988 | | – |
| 1200 x 600 x 20mm | 4981 | 4985 | 4989 | | – |
| 1200 x 400 x 20mm | 4138 | 4141 | * | | 4137 |
| 1350 x 450 x 20mm | 4139 | 4142 | * | | 4134 |
| 1500 x 500 x 20mm | 4140 | 4143 | * | | 4144 |

– Not available

* Special items and other sizes available upon request



NRC: 0.70



CAC: 35



RH99% at 0°C – 49°C



Conforms with BCA Spec. C1.10 and tested to AS/NZS 3837:1998
– Group 1, ISO 5660 – Group 1 –S



Thermal Insulation (R- Value)
0.40 m²K/W



5.4 kg/m²
5.61 kg/m² (Planks only)

Material

Wet-formed mineral fibre

Surface Finish

Factory-applied acrylic latex paint with painted "BioBlock™" mould/mildew inhibitor"

Backloading Recommendation

Contact your local Armstrong representative

Recycled Content

47% for items: 4980-4989, 36% for items: 4138-4144

Suspension Systems

PeakForm Steel options above, with 'Blue Tongue' Aluminium upon request

Green Star: Potential contribution

| MAN | | IEQ | | | ENE | MAT and Mat. Calc. | | | | |
|------------------|-----------------|--------------|-----------|--------|----------------------------------|---------------------------|---------------------|------------------|------------------|---|
| Waste Management | Daylight Factor | Noise Levels | Emissions | Energy | Modular & Design for Disassembly | Level A Certified Product | Product Stewardship | EMS to ISO 14001 | Recycled Content | |
| ✓ | ✓ | ✓ | ✓ | ✓ | ✓ | ✓ | ✓ | ✓ | ✓ | ✓ |



Armstrong World Industries Pty Ltd
www.armstrongceilings.com.au

NSW
Telephone (02) 9748 1588

VIC/TAS
Telephone (03) 8706 4000

QLD/NT
Telephone (07) 3809 5565

Email: scentre@armstrongceilings.com

©2017 Armstrong World Industries Pty Ltd

AWP0417

Printed on Zanders Mega Recycled paper

Inspiring Great Spaces

Armstrong
CEILING SOLUTIONS