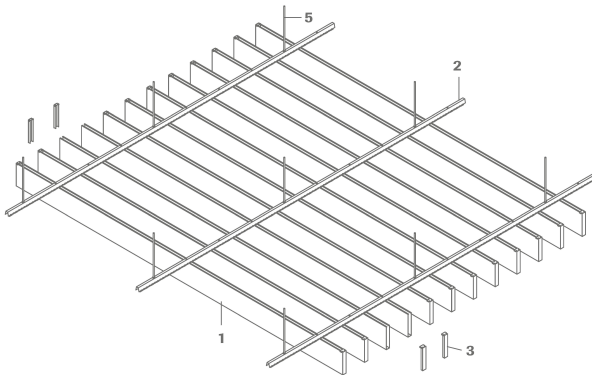


S 19M Baffle Ceiling

Photo



Installation



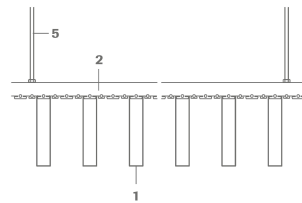
Index

- 1 Baffle
- 2 Carrier profile, no. 19M-01
- 3 End cap, no. 19M-02
- 4 Splice for baffle, no. 19M-03
- 5 Threaded rod $\varnothing 8\text{mm}$ (by client)

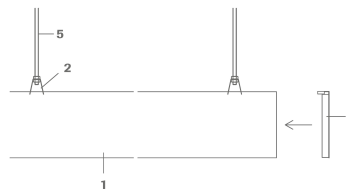
Technical data

Material	Steel	Aluminium
Size (w×h)	30×70mm, 30×100mm 50×70mm, 50×100mm	30×70mm, 30×100mm 50×70mm, 50×100mm
Length	Within 4000mm	Within 4000mm
Thickness	0.6mm	0.8mm
Accessory	End cap, splice	End cap, splice
Color	Standard white, wooden colors, other colors on request	Standard white, wooden colors, other colors on request

Section



Space between two baffles can be 100mm or 150mm.



Colors

