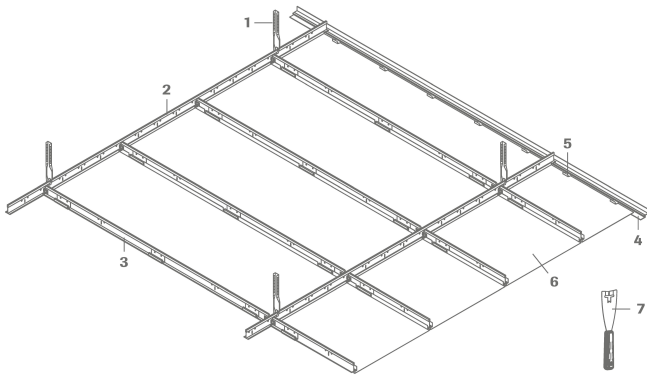


# S 29M Juno Ceiling



## Installation



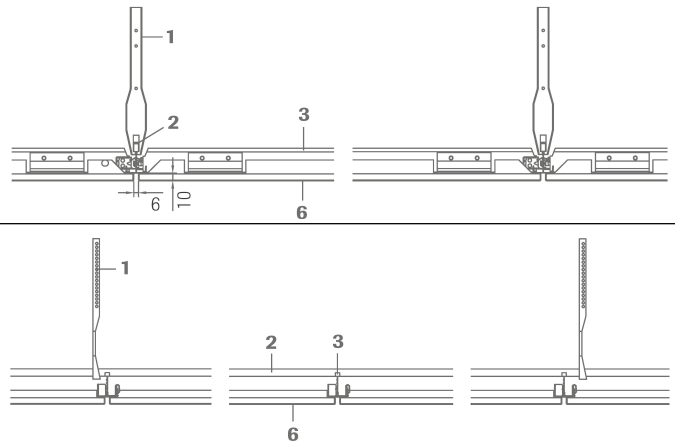
## Index

- 1 Nonius lower section no. 17/45
- 2 Main tee cliq-24-MR
- 3 Cross tee, cliq-24-CT-Juno, length 1200mm
- 4 F-Shadow wall angle no. 5015F
- 5 Wall spring no. 5220
- 6 Metal tile
- 7 Clip tool no. 99029

## Technical data

<b>Material</b>	Steel	Aluminium
<b>Module size</b>	300×1200mm, 400×1200mm	400×1200mm, 600×1200mm
<b>Thickness</b>	0.6mm	1.0mm
<b>Perforation</b>	L0, Rg0701, Rd1522, Rg2516, Rv3136	L0, Rg0901, Rd1820, Rg2516
<b>Cross gap</b>	6mm	6mm
<b>Color</b>	Standard white, RAL9006, other colors on request	Standard white, RAL9006, other colors on request

## Section



## Colors & Perforations

 Standard white	 RAL 9006	 L0 un-perforated
 Rg0701 Ø = 0.7 mm (0.028") 1 % open area	 Rg0901 Ø = 0.9 mm (0.035") 1 % open area	 Rd1522 Ø = 1.5 mm (0.059") 22 % open area
 Rd1820 Ø = 1.8 mm (0.071") 20 % open area	 Rg2516 Ø = 2.5 mm (0.098") 16 % open area	 Rv3136 Ø = 3.0 mm (0.122") 36 % open area