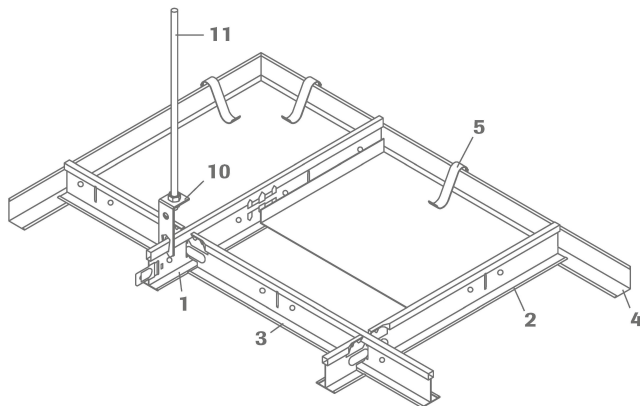


S 45 Lay-in

Photo



Installation



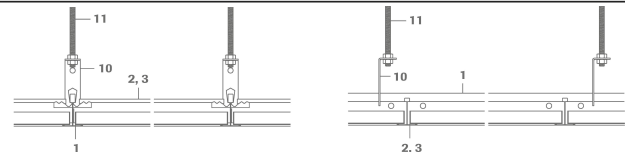
Index

- 1 Main tee, clip-15-MR/Deco-38C
- 2 Cross tee short, clip-15-CT/Deco-28C
- 3 Cross tee long, clip-15-CT/Deco-28C
- 4 Wall angle (steel), no. 50G
- 5 Wall clip, no. 99009
- 6 Shadow wall angle (steel), no. 50/15G (optional)
- 7 Wall clip, no. 99010 (optional)
- 8 F-wall angle (aluminum), no. 50F (optional)
- 9 Clip for F-wall angle, no.5220M (optional)
- 10 Hanger for threaded rod, no. 49/15M
- 11 Threaded rod \varnothing 6mm (by client)

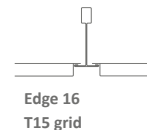
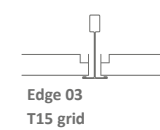
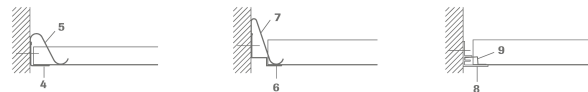
Technical data

Material	Steel	Aluminium
Module size	600×600mm, 600×1200mm	600×600mm, 600×1200mm
Thickness	0.6mm	0.8mm~1.0mm
Perforations	L0, Rg0701, Rd1522, Rg2516, Rv3136	L0, Rg0901, Rd1820, Rg2516
Available edges	K03, K16	A03, A16
Color	Standard white, RAL9006, other colors on request	Standard white, RAL9006, other colors on request

Section



Wall perimeter:



Colors & Perforations

<p>Standard white</p>	<p>RAL 9006</p>	<p>L0 un-perforated</p>
<p>Rg0701 $\varnothing = 0.7 \text{ mm (0.028")}$ 1 % open area</p>	<p>Rg0901 $\varnothing = 0.9 \text{ mm (0.035")}$ 1 % open area</p>	<p>Rd1522 $\varnothing = 1.5 \text{ mm (0.059")}$ 22 % open area</p>
<p>Rd1820 $\varnothing = 1.8 \text{ mm (0.071")}$ 20 % open area</p>	<p>Rg2516 $\varnothing = 2.5 \text{ mm (0.098")}$ 16 % open area</p>	<p>Rv3136 $\varnothing = 3.12 \text{ mm (0.123")}$ 38 % open area</p>